

Reliability in Action



LG938L

Wheel Loader



LG938L Wheel Loader

2 YEAR
000 HOUR
WARRANTY

The LG938L Loader is your perfect utility machine. This all-round workhorse is ideal for sand & soil yards, concrete batch plants, feedlots, material handling, farm use, waste recycling & general construction. Daily checks are made simple with easy access service points, while operator comfort is taken care of with its spacious & ergonomic design. Combine all of this with SDLG's renowned versatility, fuel economy & performance - & you've got an outstanding machine ready to get to work.



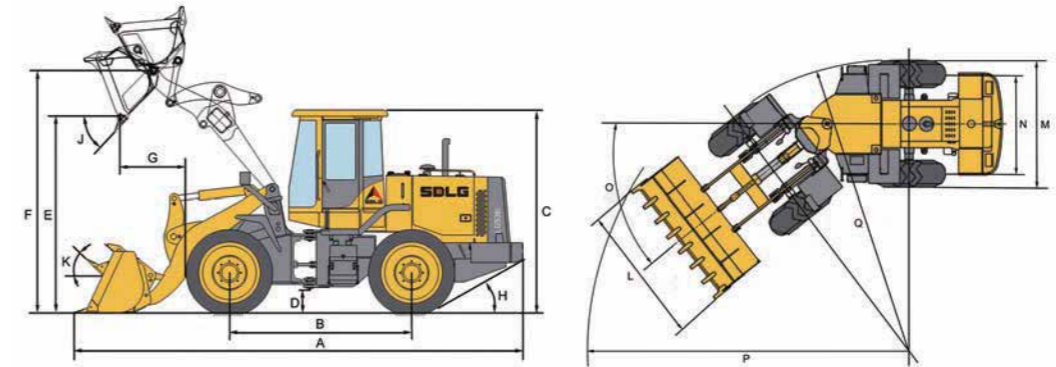
1 Fully certified ROPS/FOPS air conditioned cab. The wrap around pillarless front & rear windscreens offer superior vision & safety. The cab interior is vast, with a focus on comfort, ergonomics & practicality.

4 The engine is high torque, high performance & fuel efficient. It is connected to a tropical cooling package allowing it to work at full capacity in the toughest conditions.

2 SDLG uses axles designed & built at the factory, thus ensuring a perfect driveline match, resulting in increased productivity.

5 The transmission is heavy duty, smooth & reliable. It incorporates a kick-down function for superior productivity & is designed to work in all applications.

3 Machine comes standard with a Volvo compatible quick hitch & a general purpose bucket with a bolt on cutting edge, designed & built to increase productivity.



ITEM	SPECIFICATIONS
Overall Dimension	
L x W x H	7,100 x 2,510 x 3,170mm
Wheelbase (B)	2,850mm
Height to Top of Cabin (C)	3,170mm
Min Ground Clearance (D)	370mm
Max Dumping Height (E)	2,760mm
Lifting Height (F)	3,789mm
Dumping Distance (G)	1,050mm
Max Gradeability (H)	30°
Dumping Angle (J)	45°
Bucket Rollback at Ground Level (K)	45°
Bucket Width (L)	2,510mm
Overall Width - outside of rear wheel (M)	2,310mm
Wheel Tread (N)	1,865mm
Steering Angle (O)	38°
Horizontal Crossing Radius (P)	5,912mm
Min Turning Radius (Q)	5,381mm
Transmission System	
Torque Converter	Single-stage three-element single-turbine hydraulic torque converter
Transmission Type	Fixedshaft electro-hydraulic shift
Gears	Four forward three reverse
Speed at Forward/reverse Gear I	0~7km/h
Speed at Forward/reverse Gear II	0~12km/h
Speed at Forward/reverse Gear III	0~27km/h
Speed at Forward Gear IV	0~36km/h
Hydraulic System	
Type	Hydraulic pilot control
Total Time	≤9.2s
System Pressure	2,320psi

ITEM	SPECIFICATIONS
Engine	
Model	BF6M2012-13T3-1109
Type	6 Cylinder, inline, water-cooled, turbo charged, direct injection
Rated Power @ Speed	130hp/97Kw@2,200r/min
Engine Displacement	6L
Cylinder Bore/Stroke	101/126mm
Max Torque	560Nm
Emission Standard	TIER III
Brake System	
Service Brake Type	Dry disc brake
Parking Brake Type	External disc type
Steering System	
Type	Fully hydraulic articulated
Overall Parameter	
Bucket Capacity	1.8m ³
Rated Load	3,000kg
Operating Weight	10,900kg
Max Tractive Force	>105kN
Max Breakout Force	>96kN
FTSTL	6,000kg
Fill Capacity	
Fuel	160L
Hydraulic Oil	128L
Engine	17.5L
Transmission	25L
Drive Axle	2x18L
Brake System	4L

Lower Cost, Higher Return



**Under our policy of continuous improvement, we reserve the right to change specifications and design without prior notice.*



Call 1300 887 530
Visit www.sdlg.com.au
Email enquiries@sdlg.com.au

**A VOLVO OWNED
COMPANY**



SDLG was introduced to Australia in 2010 when CJD Equipment was appointed as the National Distributer. Having proven itself in regions around the world, SDLG was poised for success down under with a strong value offering backed by CJD's seasoned dealer network. The introduction of SDLG as an affordable, value based product with simple but reliable technology proved successful, and significant growth has been achieved for the company in Australia since.

With 17 branches and a network of 20 service & support agents, we're able to offer Nationwide sales & support coverage from Darwin to Launceston, Perth to Mackay & everywhere in between.

Head Office
54 Great Eastern Highway
South Guildford, WA 6055

Visit www.cjd.com.au
Call 1300 139 804
Email marketing@cjd.com.au

[Facebook.com/cjdequipment](https://www.facebook.com/cjdequipment)
 [Linkedin.com/company/cjd-equipment](https://www.linkedin.com/company/cjd-equipment)
 [Instagram.com/cjd_equipment](https://www.instagram.com/cjd_equipment)