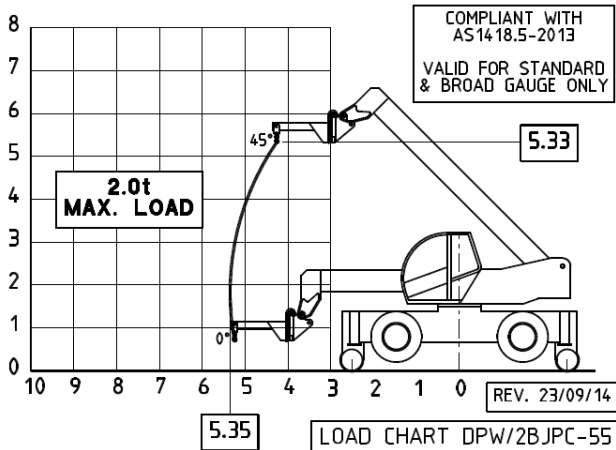


DIECI PEGASUS 40.18 HI-RAIL TELEHANDLER
WITH 1.3m JIB #BUD4356
RATED PICK & CARRY CAPACITY ON RAILS

OPERATING LIMITS:

MAXIMUM BOOM ELEVATION 45°
MAXIMUM BOOM LENGTH 6.08m (FULLY RETRACTED)
MAXIMUM BOOM SLEW ANGLE 0°
MAXIMUM GRADIENT 5°
MAXIMUM CANT 5°
MAXIMUM CLEARANCE - RAILS TO BOTTOM OF LOAD: 30cm

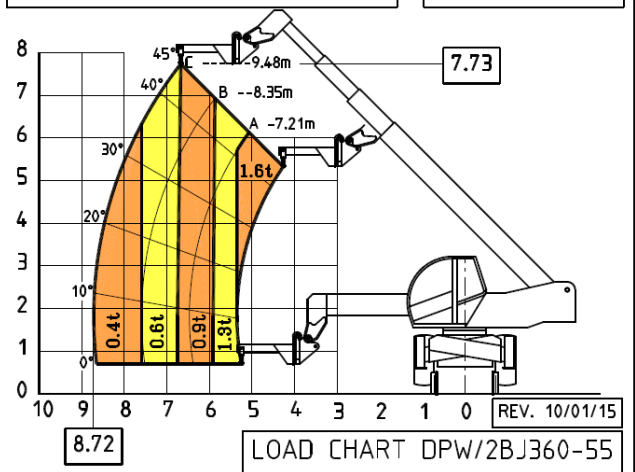


DIECI PEGASUS 40.18 HI-RAIL TELEHANDLER
WITH 1.3m JIB #BUD4356
RATED CAPACITY STATIONARY ON RAILS (360°)

OPERATING LIMITS:

MAXIMUM BOOM ELEVATION 45°
MAXIMUM BOOM LENGTH 9.48m (POSITION 'C')
MAXIMUM BOOM SLEW ANGLE 360°
MAXIMUM GRADIENT 5°
MAXIMUM CANT 5°
MAXIMUM WIND SPEED 12.5m/sec (45km/hr)

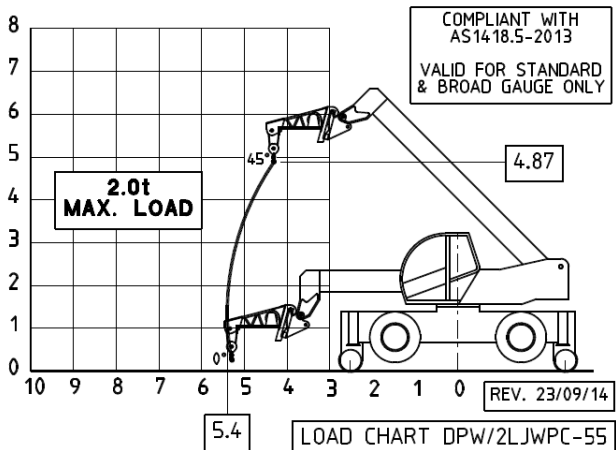
COMPLIANT WITH AS1418.5-2013
VALID FOR STANDARD & BROAD GAUGE ONLY



DIECI PEGASUS 40.18 HI-RAIL TELEHANDLER
WITH 1.4m LATTICE JIB #BUD4362 + 2t WINCH
RATED PICK & CARRY CAPACITY ON RAILS

OPERATING LIMITS:

MAXIMUM BOOM ELEVATION 45°
MAXIMUM BOOM LENGTH 6.08m (FULLY RETRACTED)
MAXIMUM BOOM SLEW ANGLE 0°
MAXIMUM GRADIENT 5°
MAXIMUM CANT 5°
MAXIMUM CLEARANCE - RAILS TO BOTTOM OF LOAD: 30cm

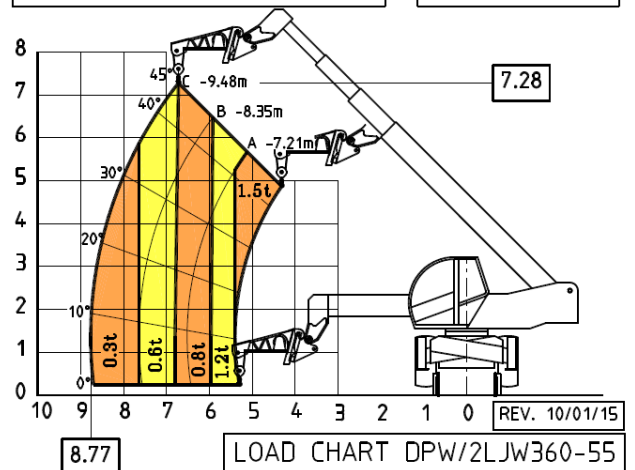


DIECI PEGASUS 40.18 HI-RAIL TELEHANDLER
WITH 1.4m LATTICE JIB #BUD4362 + 2t WINCH
RATED CAPACITY STATIONARY ON RAILS (360°)

OPERATING LIMITS:

MAXIMUM BOOM ELEVATION 45°
MAXIMUM BOOM LENGTH 9.48m (POS'N 'C')
MAXIMUM BOOM SLEW ANGLE 360°
MAXIMUM GRADIENT 5°
MAXIMUM CANT 5°
MAXIMUM WIND SPEED 12.5m/sec (45km/hr)

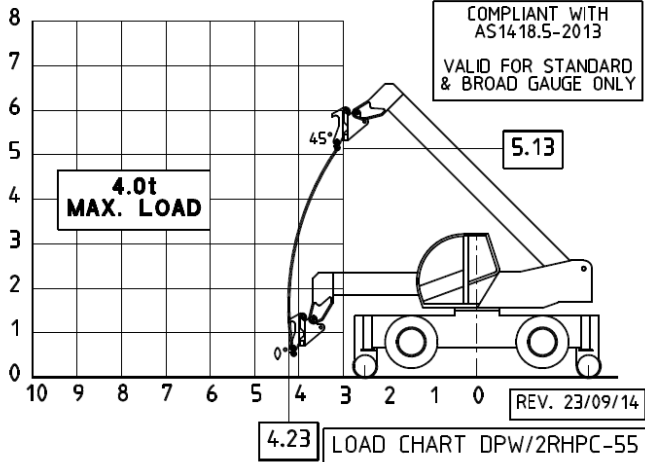
COMPLIANT WITH AS1418.5-2013
VALID FOR STANDARD & BROAD GAUGE ONLY



DIECI PEGASUS 40.18 HI-RAIL TELEHANDLER WITH 4t CAPACITY RHINO HOOK #BCN5370 RATED PICK & CARRY CAPACITY ON RAILS

OPERATING LIMITS:
 MAXIMUM BOOM ELEVATION 45°
 MAXIMUM BOOM LENGTH 6.08m (FULLY RETRACTED)
 MAXIMUM BOOM SLEW ANGLE 0°
 MAXIMUM GRADIENT 5°
 MAXIMUM CANT 5°
 MAXIMUM CLEARANCE - RAILS TO BOTTOM OF LOAD: 30cm

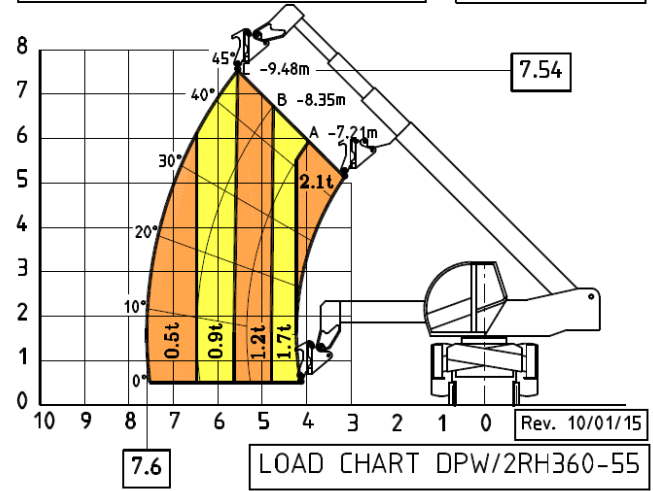
COMPLIANT WITH AS1418.5-2013
 VALID FOR STANDARD & BROAD GAUGE ONLY



DIECI PEGASUS 40.18 HI-RAIL TELEHANDLER WITH 4t CAPACITY RHINO HOOK #BCN5370 RATED CAPACITY STATIONARY ON RAILS (360°)

OPERATING LIMITS:
 MAXIMUM BOOM ELEVATION 45°
 MAXIMUM BOOM LENGTH 9.48m (POSITION 'C')
 MAXIMUM BOOM SLEW ANGLE 360°
 MAXIMUM GRADIENT 5°
 MAXIMUM CANT 5°
 MAXIMUM WIND SPEED 12.5m/sec (45km/hr)

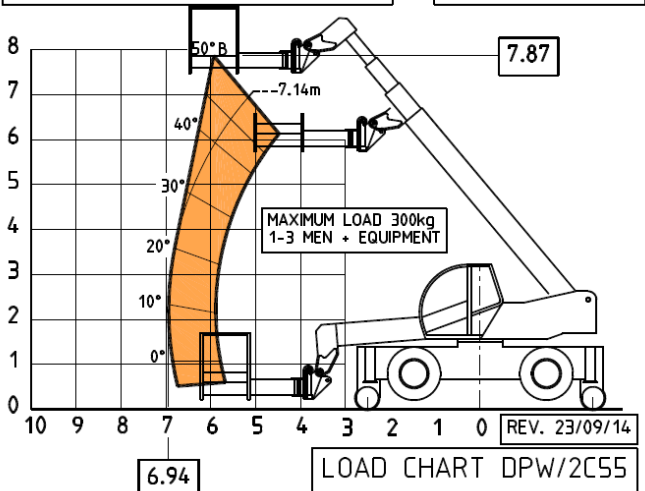
AS1418.5-2013 COMPLIANT
 VALID FOR STANDARD & BROAD GAUGE ONLY



DIECI PEGASUS 40.18 HI-RAIL TELEHANDLER WITH 300kg CAPACITY TRILATERAL EXTENDING EWP RATED CAPACITY CREEPING ON RAILS

OPERATING LIMITS:
 MAXIMUM BOOM ELEVATION 50°
 MAXIMUM BOOM LENGTH 8.35m (POS'N 'B')
 MAXIMUM BOOM SLEW ANGLE + - 45°
 MAXIMUM GRADIENT 5°
 MAXIMUM CANT 5°
 MAXIMUM WIND SPEED 12.5m/sec (45km/hr)

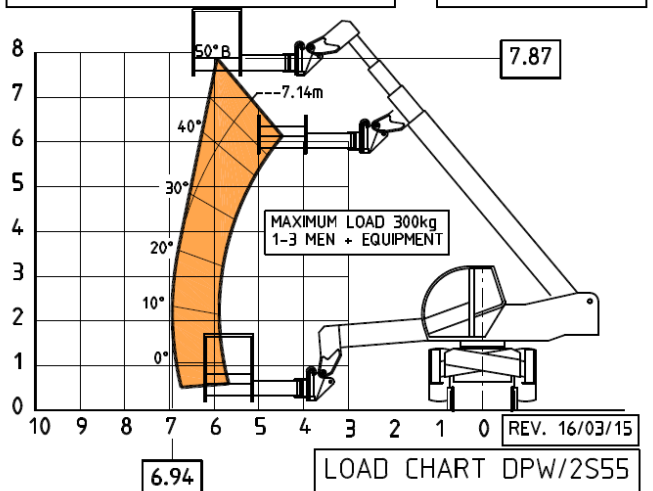
COMPLIANT WITH AS1418.10-2011
 VALID FOR STANDARD & BROAD GAUGE ONLY



DIECI PEGASUS 40.18 HI-RAIL TELEHANDLER WITH 300kg CAPACITY TRILATERAL EXTENDING EWP RATED CAPACITY STATIONARY ON RAILS 360°

OPERATING LIMITS:
 MAXIMUM BOOM ELEVATION 50°
 MAXIMUM BOOM LENGTH 8.35m (POS'N 'B')
 MAXIMUM GRADIENT 5°
 MAXIMUM CANT 5°
 MAXIMUM WIND SPEED 12.5m/sec (45km/hr)

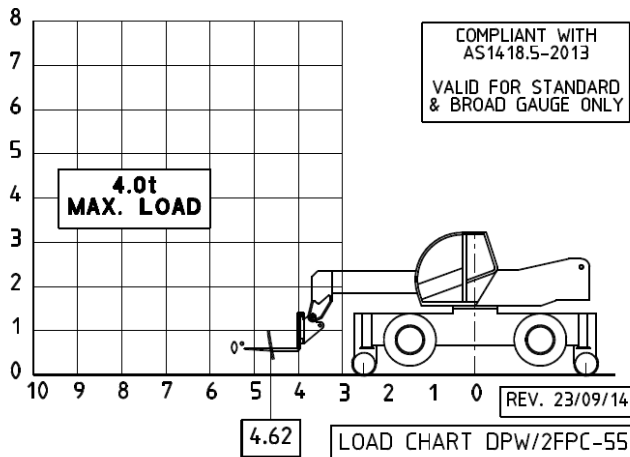
COMPLIANT WITH AS1418.10-2011
 VALID FOR STANDARD & BROAD GAUGE ONLY



**DIECI PEGASUS 40.18 HI-RAIL TELEHANDLER
WITH 600mm LOAD CENTRE FORKS #BUD1058
RATED PICK & CARRY CAPACITY ON RAILS**

OPERATING LIMITS:

MAXIMUM BOOM ELEVATION 0°
 MAXIMUM BOOM LENGTH 6.08m (FULLY RETRACTED)
 MAXIMUM BOOM SLEW ANGLE 0°
 MAXIMUM GRADIENT 5°
 MAXIMUM CANT 5°
 MAXIMUM CLEARANCE - RAILS TO BOTTOM OF LOAD: 30cm



**DIECI PEGASUS 40.18 HI-RAIL TELEHANDLER
WITH 600mm LOAD CENTRE FORKS #BUD1058
RATED CAPACITY STATIONARY ON RAILS (360°)**

OPERATING LIMITS:

MAXIMUM BOOM ELEVATION 45°
 MAXIMUM BOOM LENGTH 9.48m (POS'N 'C')
 MAXIMUM BOOM SLEW ANGLE 360°
 MAXIMUM GRADIENT 5°
 MAXIMUM CANT 5°
 MAXIMUM WIND SPEED 12.5m/sec (45km/hr)

COMPLIANT WITH AS1418.5-2013
 VALID FOR STANDARD & BROAD GAUGE ONLY

